



**TECHNICAL DATA SHEET**

---

**PYRAMIDAL HANDHOLE**

**DESCRIPTION**

Telecommunications sidewalk handhole without bottom, manufactured in FRP, dimensions 46 in. x 28.2 in. x 15.7 in. with a frame made of the same material and two polymer concrete covers reinforced with fiberglass.

**UTILIZATION**

PRIMARILY USED IN TELECOMMUNICATIONS AND FIBER OPTIC NETWORKS.

**FIBERGLASS CHARACTERISTICS**

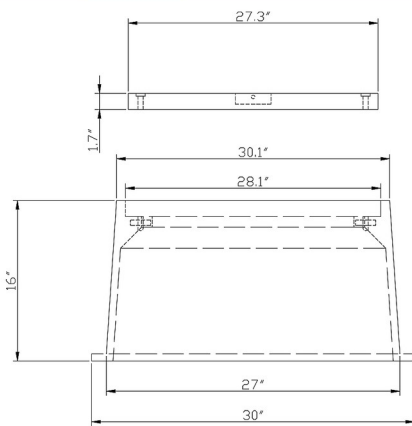
- Good thermal insulation
- Excellent dielectric properties
- Withstands high temperatures
- Chemically inert to acids and low porosity
- UV protection
- Fire retardant

**MANUFACTURED IN:**

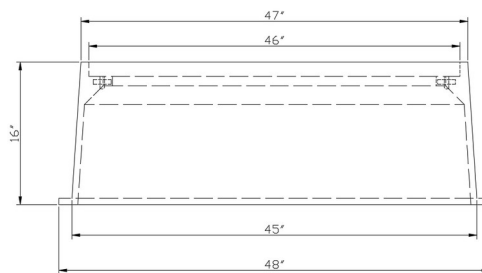
Fiberglass Reinforced Polyester (FRP) and polymer concrete

INCLUDES POLYMER CONCRETE COVERS  
f' c= 7110 psi

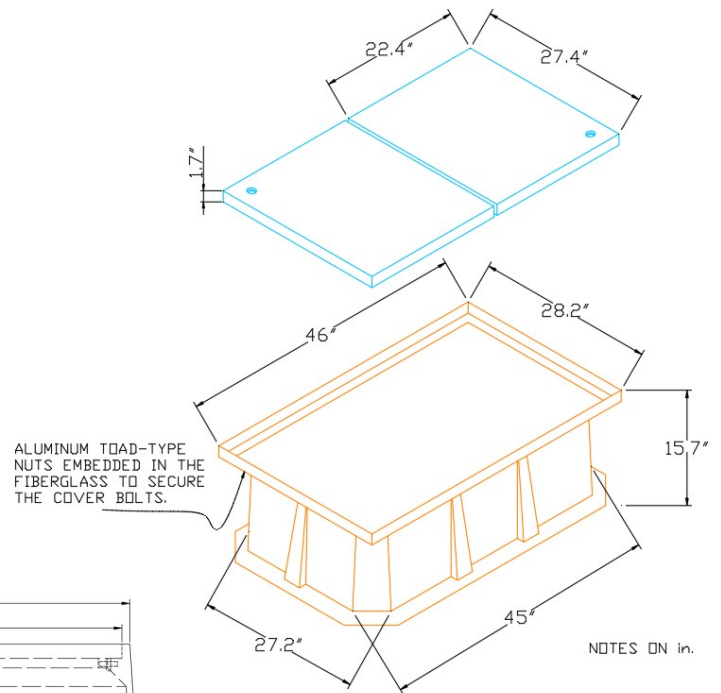
Average cover weight – 83 lb.  
Average handhole weight - 55 lb.



VISTA LATERAL



VISTA FRONTAL



NAME: PYRAMIDAL HANDHOLE		SPECIFICATION OR STANDARD: TELECOM
	SCALE: S/E	EDITION: 2008
	DIMENSIONES: inches	
	APPROX. WEIGHT: 220.5 lb	

